

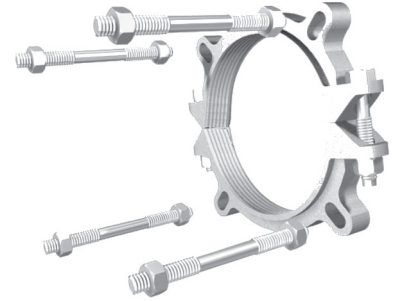
Tru-Dual® Series 15PF08TDSS4

Restraint for Ductile Iron or C900 PVC Pipe at
Ductile Iron Fittings

CONTAINS BOTH DOMESTIC AND IMPORTED HARDWARE

Installation Instructions

1. Identify the Pipe. The Series 15PF00TD is designed for restraining C900 PVC pipe or Ductile Iron pipe at ductile iron fittings supplied with restraining ears. It has a split; serrated restraint ring with Tru-Dual® inserts on the spigot and attaches to the joint with connecting rods.
2. Assemble joint per the pipe manufacturer's instructions.
3. Using the connecting rods to determine the proper restraint location, install both halves of the restraint by tapping them into place. Allow enough room on the connecting rods to fully engage the nuts. Make sure the complete I.D. of the restraint is touching the pipe before installing and tightening of side bolts. Side bolts are to be evenly tightened to 60 ft-lbs of torque (110 ftlbs on 8 inch, 10 inch, and 12 inch).
4. Tighten the connecting bolts until snug. Do not over tighten connecting bolts as to move the spigot further into the joint.



CONTENTS

Qty.	Description
1	8 in. 1500TD Split Restraint Ring
2	Stainless Steel Tie Rods w/ Nuts

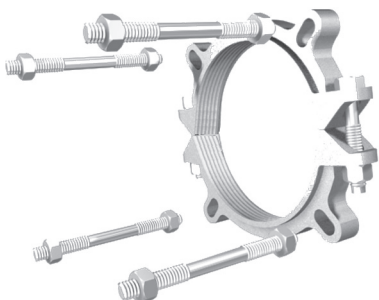
Restraints Made in The USA

For use on water or wastewater pipelines subject to hydrostatic pressure and tested in accordance with either AWWA C600 or ASTM D2774

APPROXIMATE SHIPPING WEIGHT: 16.70 lbs.

0120-F

Copyright 2021 © EBA A IRON, Inc. All Rights Reserved



Series 15PF08TDSS4

Restraint for Ductile Iron or C900 PVC Pipe at
Ductile Iron Fittings



1 5 P F 0 8 T D S S 4

EBA A IRON SALES, Inc.
P.O. Box 857, Eastland, TX 76448
Tel: (254) 629-1731
Fax: (254) 629-8931
Toll: (800) 433-1716
contact@ebaa.com
www.ebaa.com

Made in the USA