

Series 15PF06 restraining a push-on fitting with restraining ears.

Features and Applications:

- For restraining AWWA C900 PVC pipe systems using push-on fittings with restraining ears
- **MEGA-BOND®** Coating System
For more information on MEGA-BOND, visit our website at www.ebaa.com
- Minimum 2 to 1 Safety Factor
- Split design for ease of installation
- Constructed of A536 Ductile Iron

For use on water or wastewater pipelines subject to hydrostatic pressure and tested in accordance with either AWWA C600, C605 or ASTM D2774.

Nominal Pipe Size	Series Number	Approximate Shipping Weight	Pressure Ratings (PSI)		
			DR14 Class 200	DR18 Class 150	DR25 Class 100
4	15PF04	7.6	200	150	100
6	15PF06	10.6	200	150	100
8	15PF08	13.8	200	150	100
10	15PF10	27.2	200	150	100
12	15PF12	29.9	200	150	100

NOTE: For applications or pressures other than those shown, please contact EBAA for assistance. Derate pressure rating if not all connecting bolts were used.



Restraint Ring Tooth Impressions on PVC Pipe.

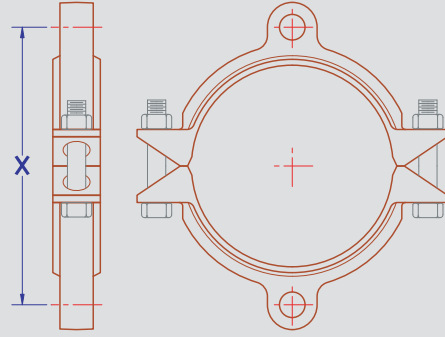
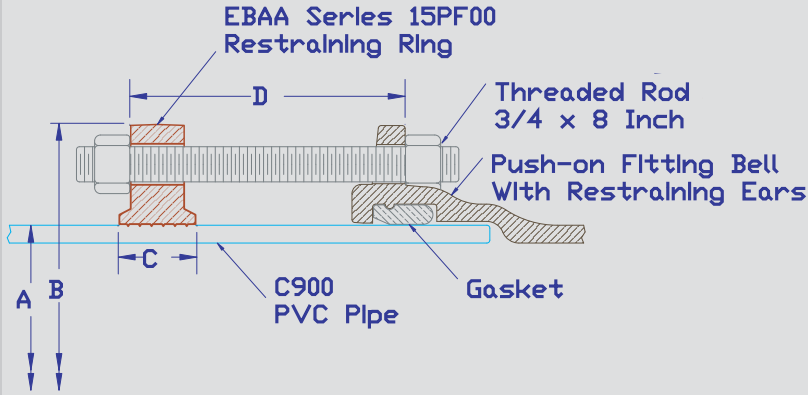
Sample Specification

Restraint for push-on bells supplied with restraint ears in AWWA C900 PVC pipe systems shall consist of the following: The restraint shall be manufactured of ductile iron conforming to ASTM A536. A split serrated ring shall be used to grip the pipe in conjunction with a sufficient number of bolts connecting the serrated restraint to the joint. The combination shall have a pressure rating as mentioned in the most current product brochure. The restraint devices shall be coated with MEGA-BOND. (For complete specifications on MEGA-BOND visit www.ebaa.com.) The restraint for Push-On fittings shall be the Series 15PF00, as manufactured by EBAA Iron, Inc., or an approved equal.

Submittal Reference Drawing

15PF00 Push On Joint Fitting

EBAA IRON



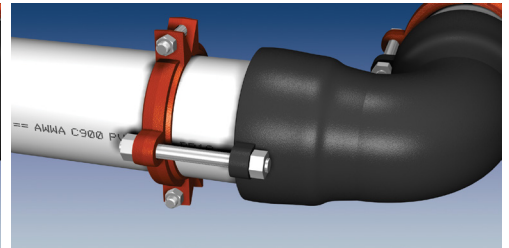
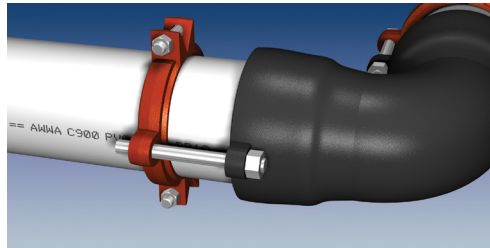
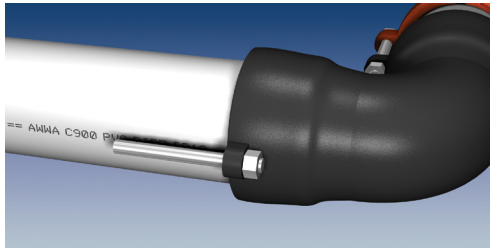
MADE IN USA

Nominal Pipe Size	Series Number	A Pipe O.D.	B Max. Restraint O.D. (casing clearance)	C Restraint Ring Width	D Restraint Ring Location	* Thrust Bolt Quantity	X Thrust Bolt Circle (Min. - Max.)
4	15PF04	4.80	9.25	1.25	6	2	7.5
6	15PF06	6.90	11.25	1.63	6	2	9.5
8	15PF08	9.05	14.75	1.63	6	2	11.32 - 13.00
10	15PF10	11.1	16.85	2.15	6	4	13.48 - 14.94
12	15PF12	13.2	19.45	2.15	6	4	15.94 - 17.66

NOTE: Dimensions are in inches and are subject to change without notice.

*Derate pressure rating if not all connecting bolts were used.

Installation Instructions



- Identify the Pipe. The Series 15PF00 is designed for restraining C900 PVC pipe at ductile iron fittings supplied with restraining ears. It has a split; serrated restraint ring on the spigot and attaches to the joint with connecting rods.
- Assemble joint per the pipe manufacturer's instructions.
- Using the connecting rods to determine the proper restraint location, install both halves of the restraint by tapping them into place. Allow enough room on the connecting rods to fully engage the nuts. Make sure the complete I.D. of the restraint is touching the pipe before installing and tightening of side bolts. Side bolts are to be evenly tightened to 60 ft-lbs of torque (110 ft-lbs on 8 inch, 10 inch, and 12 inch).
- Tighten the connecting bolts until snug. Do not over tighten connecting bolts as to move the spigot further into the joint.

EBAA IRON Sales, Inc.

P.O. Box 857, Eastland, TX 76448

Tel: (254) 629-1731

Fax: (254) 629-8931

(800) 433-1716 within US and Canada

contact@ebaa.com

www.ebaa.com

