

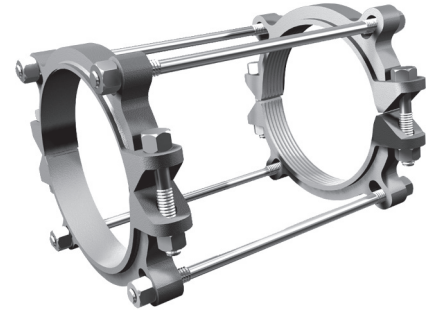


# Series 1604Y

Bell Restraint Harness for C900 PVC Pipe  
Serrated Restraint Ring, Non-Serrated Bell Ring

### Installation Instructions

1. The Series 1600 is designed for restraining push-on, C900 PVC pipe bells. It has a split, serrated restraint ring on the spigot and a split non-serrated ring behind the bell..
2. Assemble the push-on joint per the pipe manufacturer’s instructions.
3. Install both halves of the non-serrated bell ring around the pipe behind the bell. Install the side bolts and tighten each to 60 ft-lbs (110 ft-lbs on 8 inch, 10 inch and 12 inch).
4. Slide the bell ring toward the bell so that it fits snugly behind the bell.
5. Remove the side bolts from the serrated restraint ring. Use the tie bolts to determine the proper location of the restraint ring on the spigot. Allow enough room on the tie bolt to fully engage the nuts.
6. Install both halves of the restraint ring at the proper location, tapping each half into place. Make sure that the complete ID of the ring is touching the pipe before installing the side bolts. Tighten the side bolts evenly to 60 ft-lbs torque (110 ft-lbs on 8 inch, 10 inch and 12 inch).
7. Place nuts on the tie bolts and tighten until they are snug. Allow enough room on the tie bolt to fully engage the nut with several threads showing. Do not tighten these bolts enough to force the spigot further into the bell of the joint.



### CONTENTS

Qty.	Description
1	4 in. 1500 Split Restraint Ring
1	4 in. 1600 Split Restraint Ring
2	Fluoro coated Low Alloy Steel Tie Rods w/ Nuts

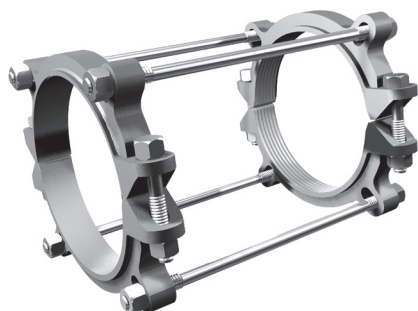
**Restraints Made in The USA**

For use on water or wastewater pipelines subject to hydrostatic pressure and tested in accordance with either AWWA C600 or ASTM D2774

APPROXIMATE SHIPPING WEIGHT: 14 lbs.

0912-O

Copyright 2021 © EBAA IRON, Inc. All Rights Reserved



### Series 1604Y

Bell Restraint Harness for C900 PVC Pipe  
Serrated Restraint Ring, Non-Serrated Bell Ring



1 6 0 4 Y 0 0 0

### EBAA IRON SALES, Inc.

P.O. Box 857, Eastland, TX 76448

Tel: (254) 629-1731

Fax: (254) 629-8931

Toll: (800) 433-1716

contact@ebaa.com

www.ebaa.com

**Made in the USA**