



# Tru-Dual® Series 15PF10TDY

Restraint for C900 PVC  
Pipe at Ductile Iron Fittings

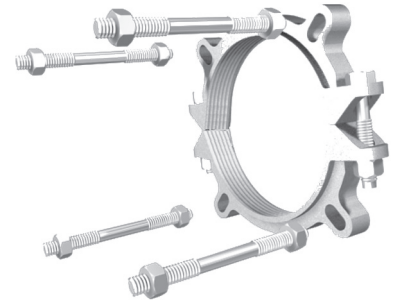
## Installation Instructions

1. Identify the Pipe. The Series 15PF00TD is designed for restraining C900 PVC pipe or Ductile Iron pipe at ductile iron fittings supplied with restraining ears. It has a split; serrated restraint ring with Tru-Dual® inserts on the spigot and attaches to the joint with connecting rods.

All EBAA products intended for installation on ductile iron pipe are designed for and limited to use on ductile iron pipes that comply with the requirements of ANSI/AWWA C151/A21.51 and have a Brinell Hardness or equivalent measurement value that does not exceed 230BHN. **These requirements apply to the entire pipe wall profile at all restraining wedge engagement points and to the full penetration depth of each restraining wedge.\***

2. Assemble joint per the pipe manufacturer's instructions.
3. Using the connecting rods to determine the proper restraint location, install both halves of the restraint by tapping them into place. Allow enough room on the connecting rods to fully engage the nuts. Make sure the complete I.D. of the restraint is touching the pipe before installing and tightening of side bolts. Side bolts are to be evenly tightened to 60 ft-lbs of torque (110 ftlbs on 8 inch, 10 inch, and 12 inch).
4. Tighten the connecting bolts until snug. Do not over tighten connecting bolts as to move the spigot further into the joint.

\*To learn more about this addendum, please visit: <https://ebaa.com/spec/dip>



## CONTENTS

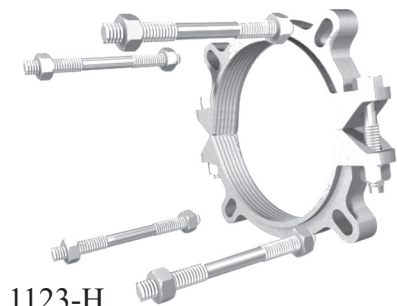
Qty.	Description
1	10 in. 1500TD Split Restraint Ring
4	3/4 in. by 8 in. Fluoro Coated Rods w/ Nuts

## Restraints Made in The USA

For use on water or wastewater pipelines subject to hydrostatic pressure and tested in accordance with either AWWA C600 or ASTM D2774

APPROXIMATE SHIPPING WEIGHT: 27.12 lbs.

Copyright 2023 © EBAA IRON, Inc. All Rights Reserved



## Series 15PF10TDY

Restraint for C900 PVC  
Pipe at Ductile Iron Fittings



1 5 P F 1 0 T D Y

**EBAA IRON SALES, Inc.**  
P.O. Box 857, Eastland, TX 76448  
Tel: (254) 629-1731  
Fax: (254) 629-8931  
Toll: (800) 433-1716  
[contact@ebaa.com](mailto:contact@ebaa.com)  
[www.ebaa.com](http://www.ebaa.com)

Made in the USA