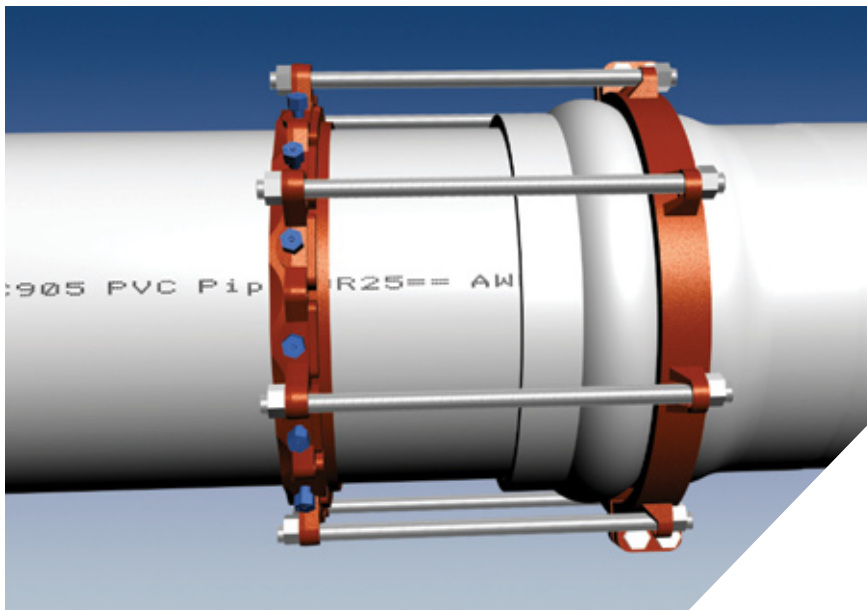


Series 2500

Restraint for C905 PVC Pipe at PVC Fittings
14 inch through 48 inch



Series 2524 restraining C905 PVC pipe at a PVC Fittings.

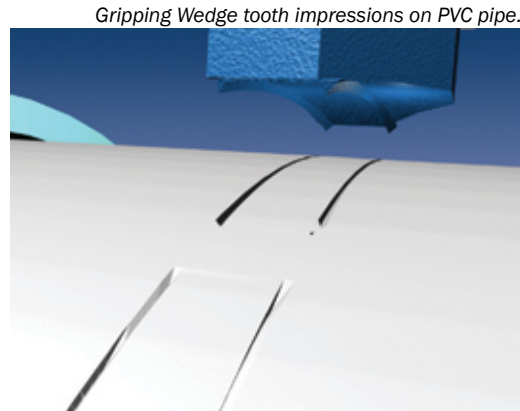
Features and Application:

- For use on AWWA C905 and CI O.D. PVC pipe when restraining to molded or fabricated PVC fittings
- **MEGA-BOND®** Coating System
- Minimum 2 to 1 Safety Factor
- Solid restraint ring with split, bell ring for ease of installation
- Constructed of ASTM A536 Ductile Iron

For use on water or wastewater pipelines subject to hydrostatic pressure and tested in accordance with either AWWA C600, C605, or ASTM D2774.

Nominal Pipe Size	Series Number	Approx. Weight	Pressure Rating (PSI)				
			DR18 Class 150	DR25 Class 100	DR32.5 Class 125	DR41 Class 100	DR51 Class 80
14	2514	102.7	200	165	-	-	-
16	2516	119.6	200	165	-	-	-
18	2518	129.7	200	165	-	-	-
20	2520	153.5	-	165	-	-	-
24	2524	264.8	-	165	-	-	-
30	2530	364.4	-	125	-	-	-
36	2536	471.0	-	125	-	-	-
42*	2542	921.4	-	-	125	100	80
48*	2548	1056.0	-	-	125	100	80

*For information regarding restraint of 42 inch or greater PVC pipe, refer to Series 2200 Brochure.
NOTE: For applications or pressures other than those shown, please contact EBAA for assistance.



Gripping Wedge tooth impressions on PVC pipe.

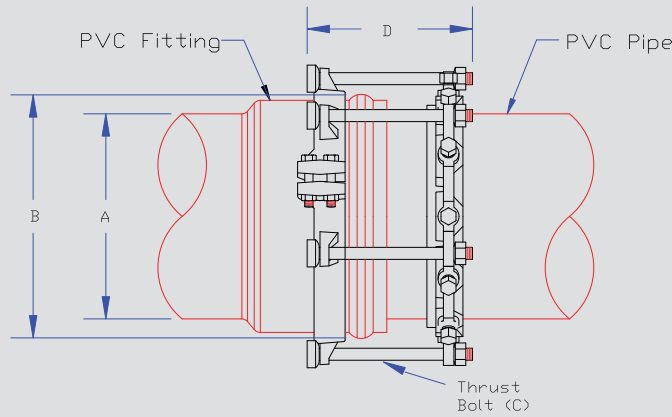
Sample Specification

Restraint for PVC pipe (AWWA C905 & CI O.D.) at PVC fittings shall consist of the following: The restraint shall be manufactured of ductile iron conforming to ASTM A536. A split ring shall be utilized on the PVC fitting bell. A restraint ring, incorporating a plurality of individually-actuating gripping surfaces, shall be used to grip the pipe, and a sufficient number of bolts shall be used to connect the bell ring and the gripping ring. The combination shall have a pressure rating equivalent to the ratings in the Pressure Ratings Table. The restraint devices shall be coated using MEGA-BOND®. (For complete specifications on MEGA-BOND visit www.ebaa.com). The restraint shall be the Series 2500, as manufactured by EBAA Iron, Inc., or approved equal.

Series 2500 Submittal Reference Drawing

EBAA IRON

MADE IN USA

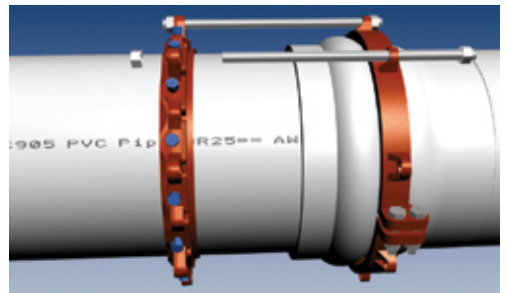
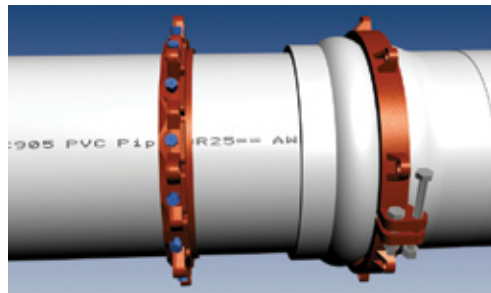
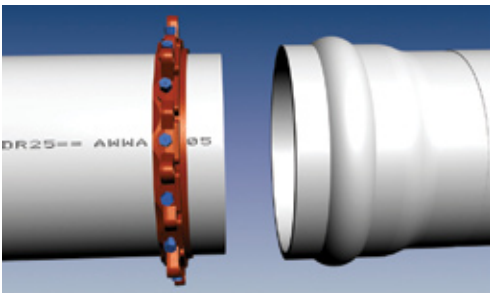


Nominal Pipe Size	Series Number	A Pipe O.D.	B Maximum Bell O.D. Cleared	C Thrust Bolt (Number - Size)	D Overall Length
14	2514	15.30	20.38	5 - 1 x 18	18
16	2516	17.40	22.75	6 - 1 x 18	18
18	2518	19.50	24.88	6 - 1 x 18	18
20	2520	21.60	27.13	7 - 1 x 18	18
24	2524	25.80	31.63	8 - 1¼ x 28	28
30	2530	32.00	39.25	10 - 1¼ x 28	28
36	2536	38.30	46.13	12 - 1¼ x 28	28
42*	2542	44.50	49.00	14 - 1¼ x 36	36
48*	2548	50.80	56.00	16 - 1¼ x 48	48

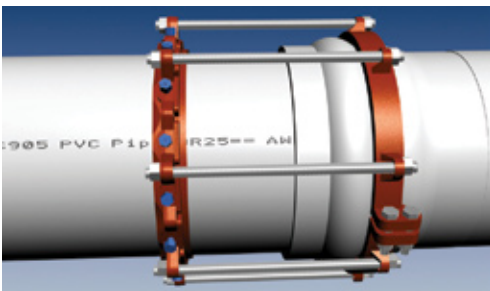
* For information regarding restraint of 42 inch and greater PVC pipe, refer to Series 2200 Brochure

Installation Instructions**

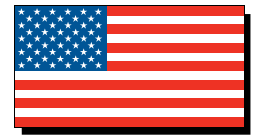
NOTE: Dimensions are in inches and are subject to change without notice.



- Slide the spigot restraint onto the end of the pipe with the lip or the wording "This Side Toward Bell" facing the end of the pipe. Do not tighten the restraint wedges at this time.
- Install the backup ring on the fitting bell behind the gasket race as shown. Install the clamp bolts and tighten to 50 ft-lbs. Keeping an equal gap on both sides.
- Assemble the joint according to the manufacturer's instructions.
- Install the thrust bolts. Thread a nut onto each bolt until there are several threads showing.



- Pull the restraint ring away from the joint until the slack is removed from the thrust bolts. Hand tighten the actuating screws on the restraint ring until all wedges are touching the pipe. Continue tightening the screws in an alternating manner until the torque limiting heads twist off. Tighten thrust bolts until evenly snug being careful not to pull the spigot further into the bell.



EBAA IRON Sales, Inc.

P.O. Box 857, Eastland, TX 76448

Tel: (254) 629-1731

Fax: (254) 629-8931

(800) 433-1716 within US and Canada

contact@ebaa.com

www.ebaa.com

**For Installation Instructions for 42 inch and greater, refer to the Series 2200 Brochure.