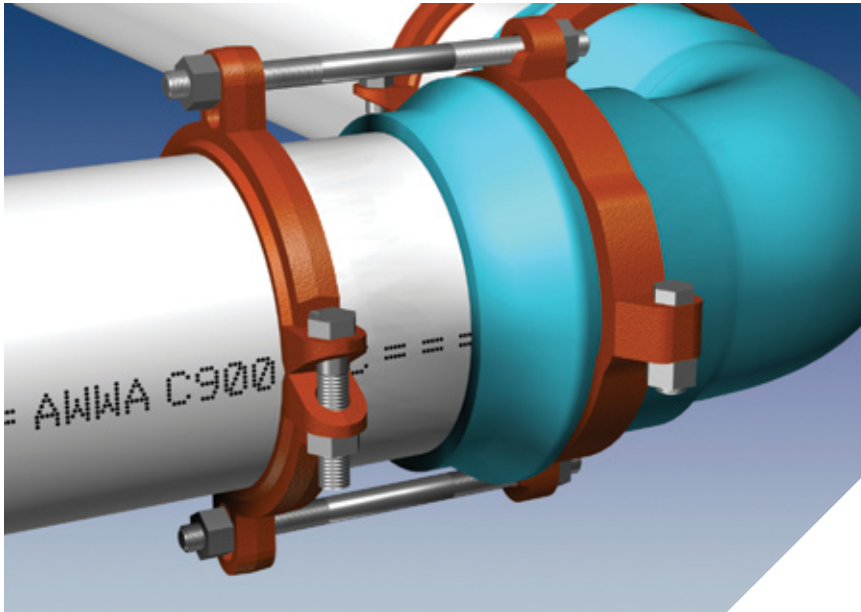


Series 2500

Restraint for C900 PVC Pipe at PVC Fittings
4 inch through 12 inch



Series 2508 Harnessing a C900 PVC pipe to a PVC fitting.

Features and Applications:

- For use on AWWA C900 PVC pipe when restraining to molded or fabricated PVC fittings
- Split design for ease of installation
- **MEGA-BOND®** Restraint Coating System
For more information regarding MEGA-BOND refer to www.ebaa.com
- Constructed of ASTM A536 Ductile Iron
- Minimum 3 to 1 Safety Factor
- For use on water or wastewater pipelines subject to hydrostatic pressure and tested in accordance with either AWWA C600 or ASTM D2774

Nominal Pipe Size	Series Number	Approximate Shipping Weight	Pressure Ratings (C900)		
			DR14 Class 200	DR18 Class 150	DR25 Class 100
4	2504	13.9	200	150	100
6	2506	20.5	200	150	100
8	2508	27.3	200	150	100
10	2510	43.8	200	150	100
12	2512	53.6	200	150	100

NOTE: For applications or pressures other than those shown, please contact EBAA for assistance.
* Safety Factor is reduced to 2.5 on DR14 Pipe /Fittings.

Sample Specification

Restraint for PVC pipe (AWWA C900) at PVC fittings shall consist of the following: The restraint shall be a manufactured of ductile iron conforming to ASTM A536. The restraint devices shall be coated using MEGA-BOND®. (For complete specifications on MEGA-BOND visit www.ebaa.com.) A split ring shall be utilized on the PVC fitting bell. A split serrated ring shall be used to grip the pipe and a sufficient number of bolts shall be used to connect the bell ring and the gripping ring. The combination shall have a pressure rating as shown in the adjacent table. The restraint shall be the Series 2500 as manufactured by EBAA Iron, Inc. or approved equal.

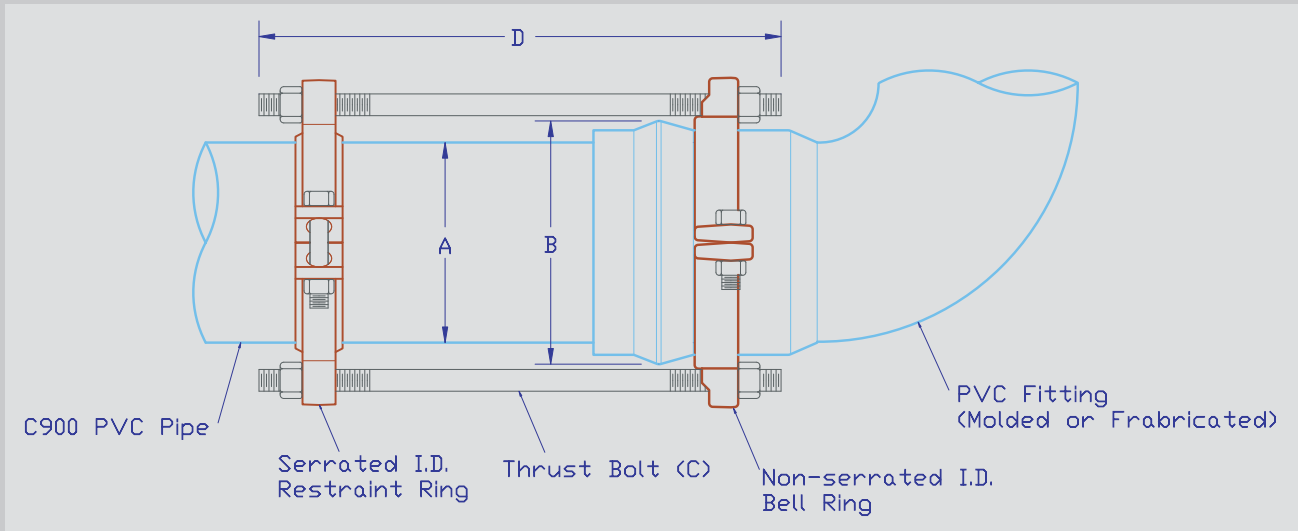
Packaged Items



Series 2500 Submittal Reference Drawing

EBAA IRON

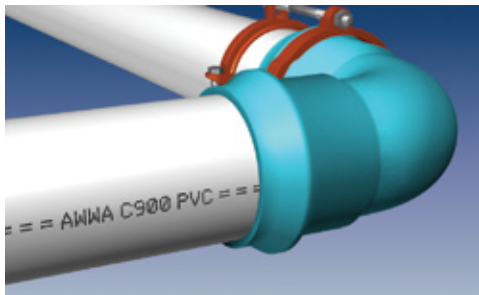
MADE IN USA



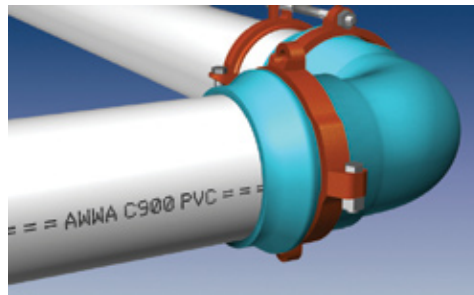
Nominal Pipe Size	Series Number	A Pipe O.D.	B Maximum Bell O.D. Cleared	C Thrust Bolt (Number - Size)	D Overall Length
4	2504	4.80	6.75	2 - 3/4 x 13	13
6	2506	6.90	8.75	2 - 3/4 x 18	18
8	2508	9.05	12.25	2 - 3/4 x 18	18
10	2510	11.10	14.20	4 - 3/4 x 18	18
12	2512	13.20	16.90	4 - 3/4 x 18	18

Installation Instructions

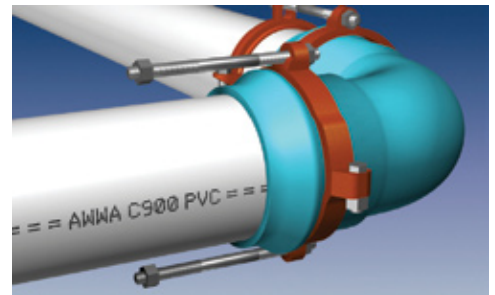
NOTE: Dimensions are in inches and are subject to change without notice.



1. The Series 2500 is designed for restraining AWWA C900 PVC pipe to molded or fabricated fittings. It has a split, serrated restraint ring on the spigot and a split non-serrated ring on the fitting.



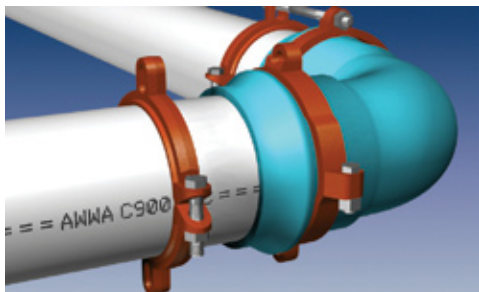
3. Install both halves of the split non-serrated bell ring on the fitting behind the gasket hump. Install the side bolts and tighten each to 110 ft-lbs. (60 ft-lbs on 4" and 6".)



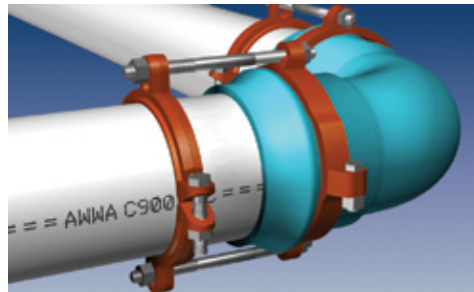
5. Remove the side bolts from the serrated restraint ring. Use the tie bolts to determine the proper location of the restraint ring on spigot. Allow enough room on tie bolt to fully engage the nuts.

2. Assemble the fitting per the fitting manufacturer's instructions.

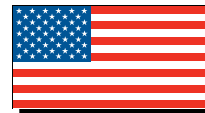
4. Slide the bell ring toward the gasket hump so that it fits snugly behind the gasket hump.



6. Install both halves of the restraint ring at the proper location, tapping each half into place. Make sure that the complete ID of the ring is touching the pipe before installing the side bolts. Tighten the side bolts evenly to 110 ft-lbs. (60 ft-lbs on 4" and 6".)



7. Place nuts on the tie bolts and tighten until they are snug. Allow enough room on the tie bolt to fully engage the nut with several threads showing. Do not tighten these bolts enough to force the spigot further into the bell of the fitting.



EBAA IRON Sales, Inc.
 P.O. Box 857, Eastland, TX 76448
 Tel: (254) 629-1731
 Fax: (254) 629-8931
 (800) 433-1716 within US and Canada
 contact@ebaa.com
 www.ebaa.com